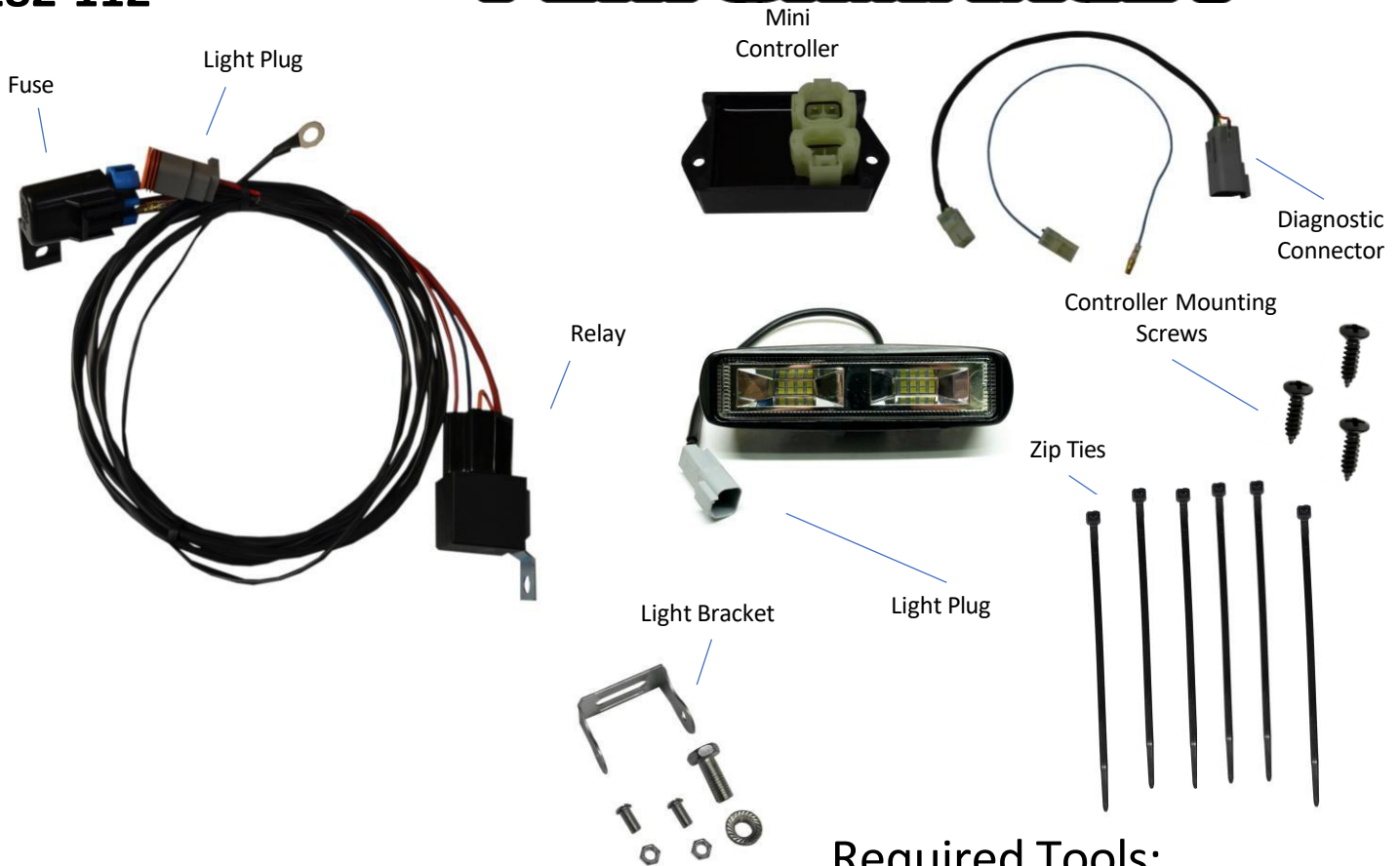


CAN-AM Commander Reverse Light Kit

Installation Manual
282-112



Required Tools:

13mm Socket & Ratchet
13mm Wrench
Philips Screwdriver
Flat Head Screwdriver
Torx T-40
1/16" and 5/16" Drill Bit
Wire Cutter (trimming zip ties)

Read entire manual before beginning the installation process.

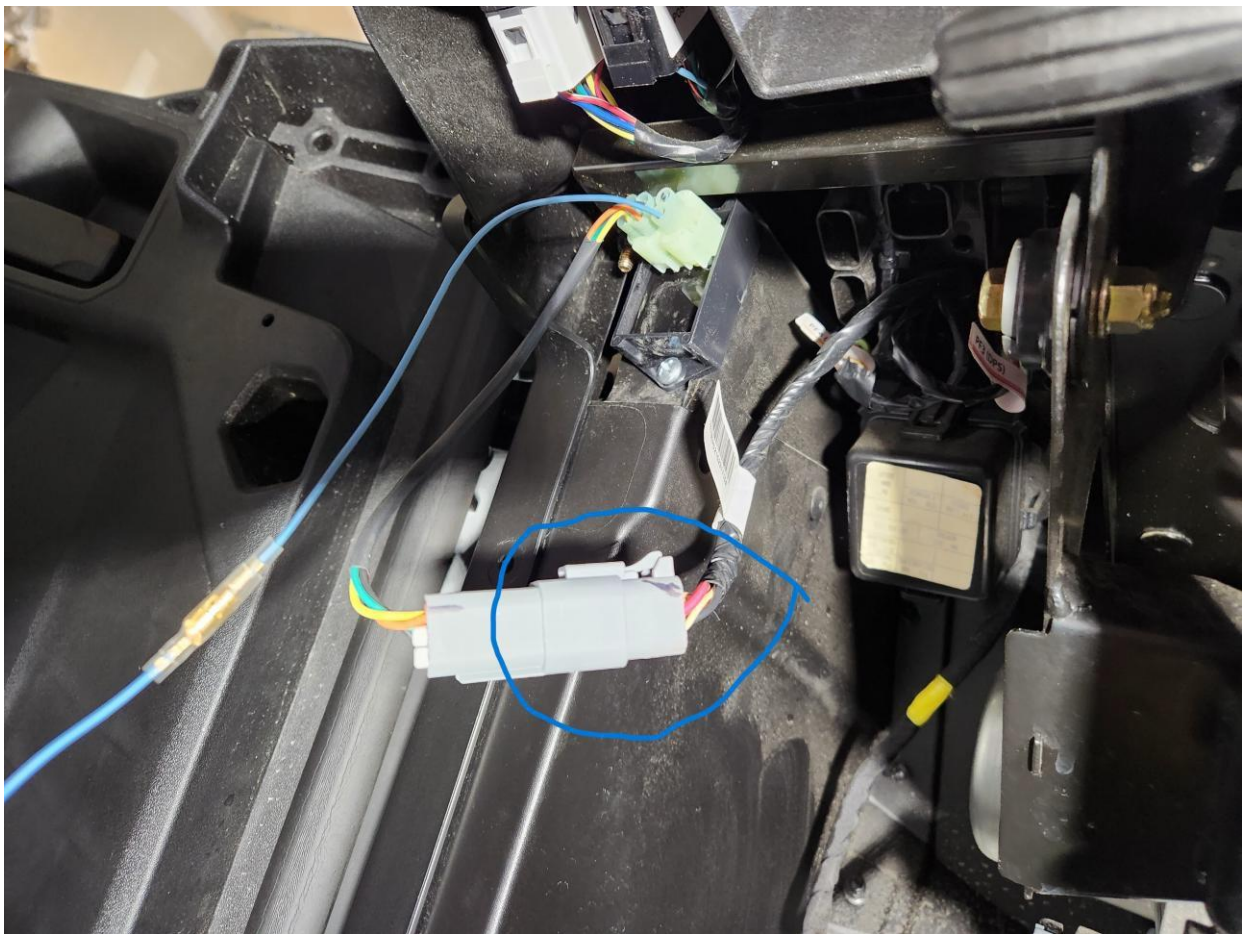
Disclaimer: Straightline Performance is not responsible for any damage due to improper installation.

Straightline Performance
Straightlineperformance.com

CAN-AM Commander Reverse Light
Tech@straightlineperformance.com

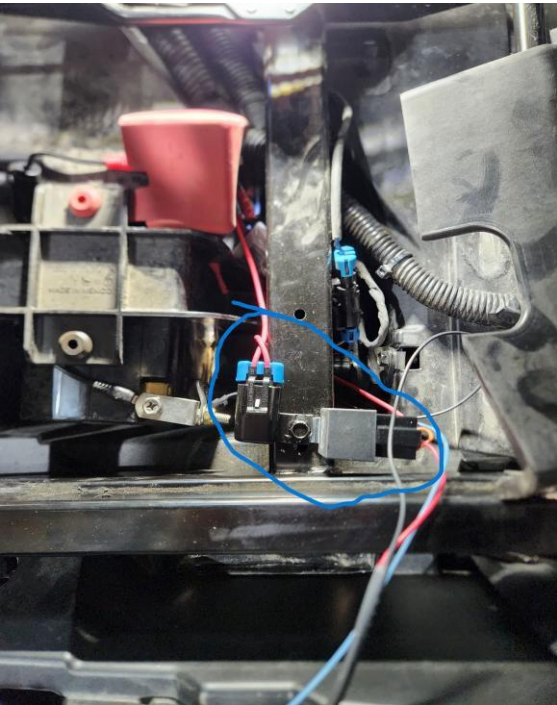
Step 1: Secure and Plug-in Controller

- 1) Remove existing diagnostic connector located under the Left side of the dash into provided diagnostic connector, then plug into provided mini-controller.
- 2) Mount mini-controller near pedals using provided screws.
- 3) Attach provided blue extension wire to bullet connector coming off mini-controller.
- 4) Run blue wire under the dash to the center and route along center console into battery compartment underneath the driver's seat.
- 5) Plug blue 4-inch jumper to end of blue extension wire.
- 6) Plug bullet connector into one coming off relay.



Step 2a: Mount Fuse & Relay, Route Wires

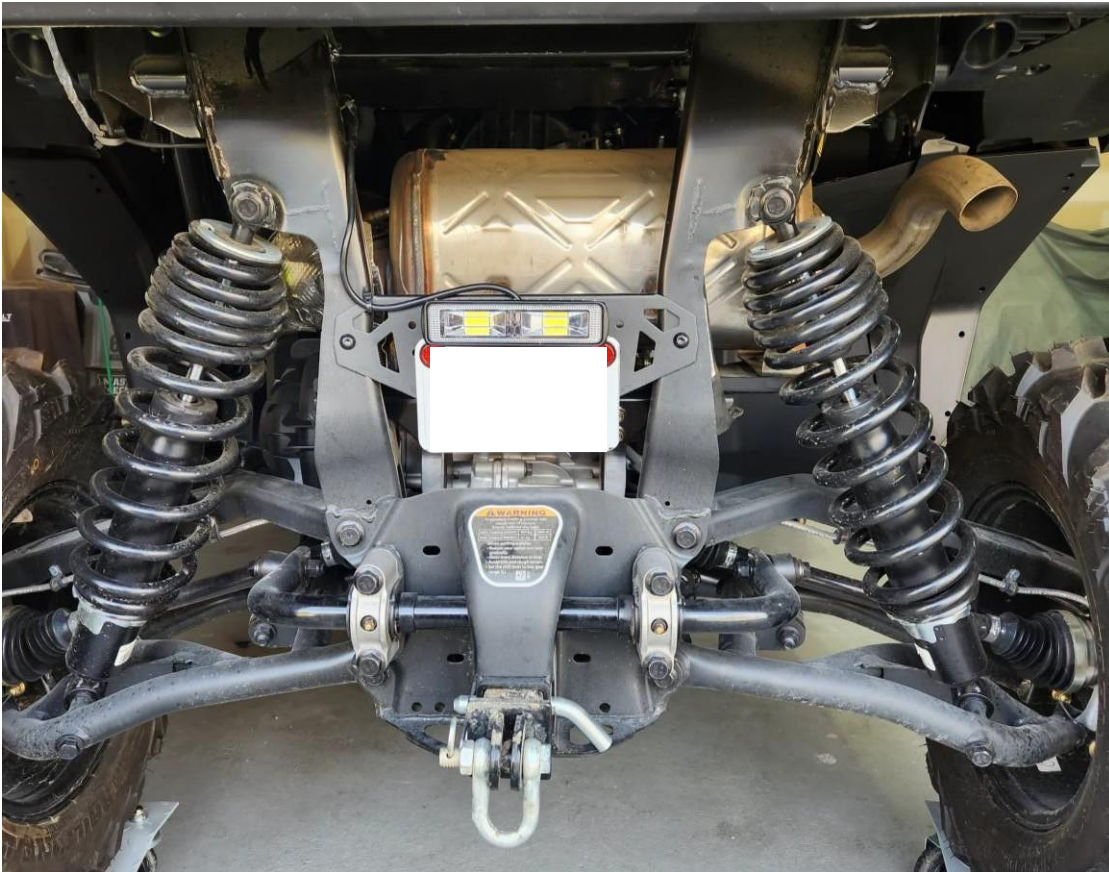
- 1) Mount the fuse and relay to the seat brace as shown using a provided screw.
- 2) Route the wire for the light through the rear of the cab.
- 3) Zip tie as needed.



Step 2: Mount Light

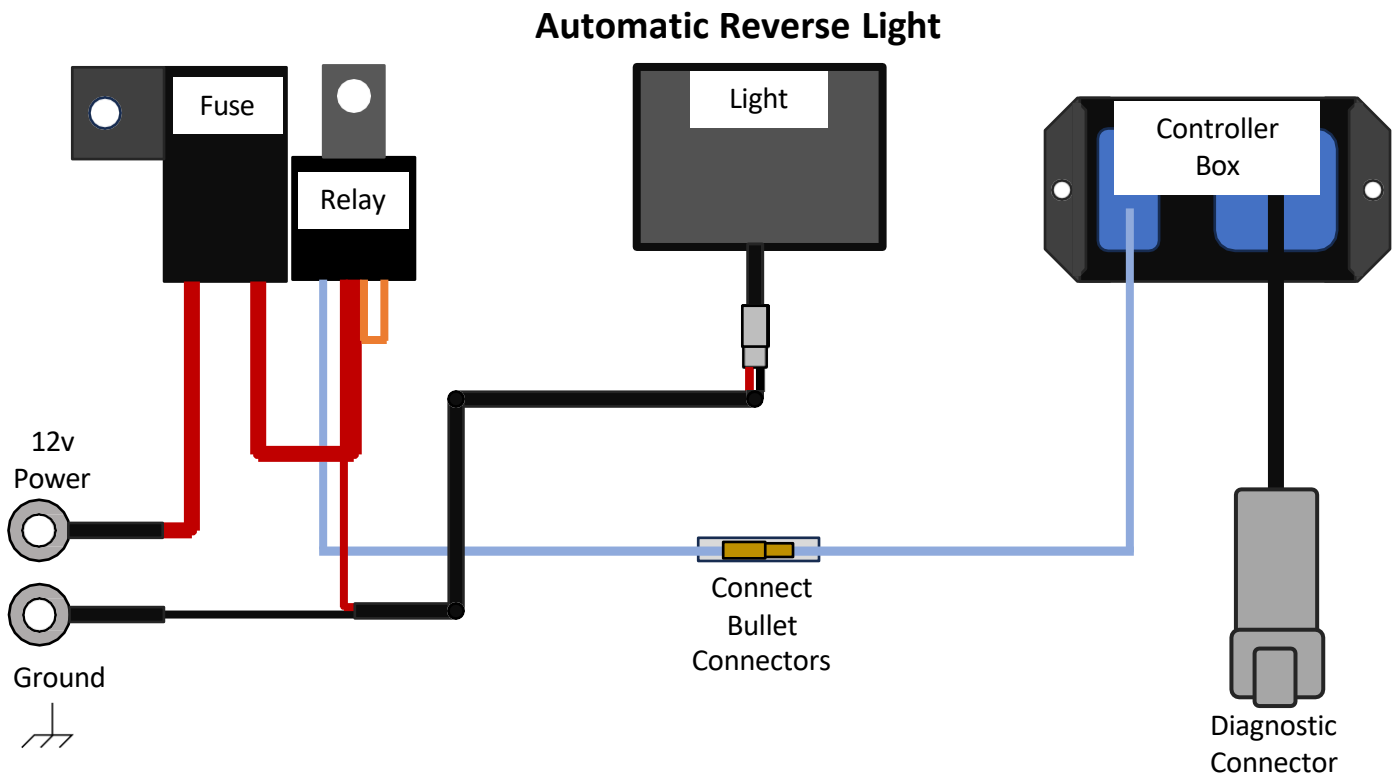
- 1) Mount light as desired.
- 2) Plug in light connector.
- 3) Zip tie as needed.

Note: Be sure to keep wires away from rotating or hot parts at all points of installation.



Step 3: Attach Battery Terminals

- 1) Connect provided red wire with ring terminal to positive terminal on battery.
- 2) Connect provided black wire with ring terminal to negative terminal on battery.





Operation of Reverse Lights

Straightline's Backup Lights are automatic. **NO switches or programming required.** When the vehicle is shifted into reverse, the lights will automatically come on. The controller has been programmed with a manual override feature, so back-up lights can be turned on without the vehicle needing to be shifted into reverse.

• Fully Automatic When Shifted to Reverse

- 1) No programming needed
- 2) Manual Override Function
- 3) Shift the vehicle into Neutral
- 4) Press and hold the brake pedal for up to 2 seconds. The reverse light will automatically turn on and stay on.

***To turn the light off repeat this procedure.**

Note: If the ignition is turned off while the vehicle is in reverse, or the manual override function is enabled, the lights will remain ON until the ECU enters sleep mode (approximately 30 secs to 2 minutes depending on vehicle and ECU type).

Part Number	Description	Quantity	In box
IT-238-102	3 screws in baggie	1	
IT-282-100	8" blue Backup controller wire, 2 pin plug one end male bullet other end.	1	
IT-282-106	Blue 30" extension with relay connector on one end and male bullet on the other	1	
IT-282-111	Canam Controller	1	
IT-282-113	CanAm Diagnostics adapter. 6 pin Deutsch plug one end 4 pin plug on the other.	1	
IT-282-114	Blue 120" with female connectors on both ends	1	
IT-282-115	Wire harness with dual light plugs and battery terminals, Comes with relay	1	
IT-288-104	long skinny light. Black aluminum housing	1	
	Make sure light has bracket with it. (SPI in house)		
NP-209	zip tie, 6"	10	
	Insert blue wire into relay plug. Directions in folder (SPI in house)		
Sticker		1	
Instruction	installation instructions	1	