

STRAIGHTLINE PERFORMANCE

Skidoo 600R ETEC Backcountry Boondocking Kit / Low Elevation Clutch Kit 0-3000ft (121-251)

Parts included in Clutch Kit:

- 1 - Primary Spring: Black (121-244)
- 1 - P-Drive Adjustable Weight Kit (121-235)
- 1 - Secondary QRS Spring: Silver (121-157)
- 1 - Helix-SPI-21 QRS Helix

P-Drive Weight Settings:

Operating RPM 7900-8100

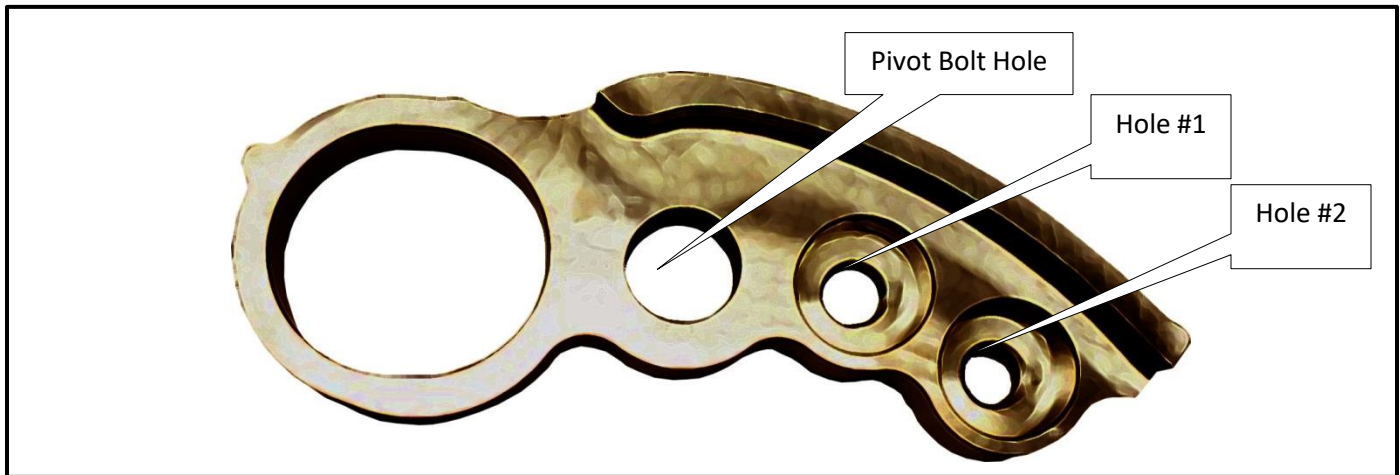
Stock Exhaust Settings

12.8 Pivot Bolt + 2g Washers

Hole #1 - 1 Magnets

Hole #2 - 1 Magnet

Clicker Position #3



Primary Clutch Installation

1. Step one is to install the proper weight into the each hole. Settings are in upper right hand corner of this page. The proper weight set-up is with either Magnets, or bolt and washer combinations that install into each location. Diagram #1 shows what hole locations are dictated by the numbers. (please note these are base settings, and for fine tuning, please refer to the tuning information on the XXXX page.
2. Next, remove the P-drive using the proper puller and holders (Straightline part #151-113 & 151-114) this will allow for the installation of the new weights and primary spring.
3. After the P-drive is removed, you will need to leave the puller installed and hit the end of the puller to separate the sliding and fixed sheaves. After the sliding and movable sheave are separate, you can remove the damper. #2 & #3
4. Next, installation of the primary spring can be done, install the Straightline tools, (151-111 & 151-112) into the primary clutch as shown on the next page, to install the new spring. When compressed remove the C-clip to remove the spring cup. #4 & #5 & #6

5. While the Spring is out, installation of the new clutch weights can be done, as this will help speed up the installation.

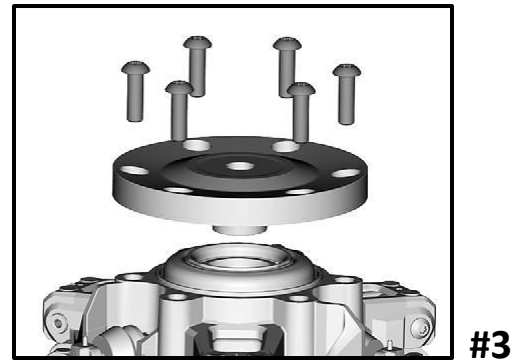
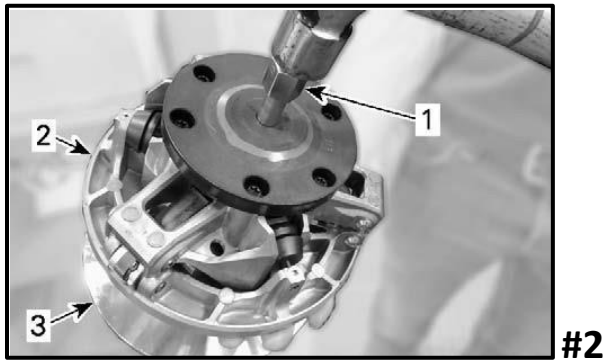
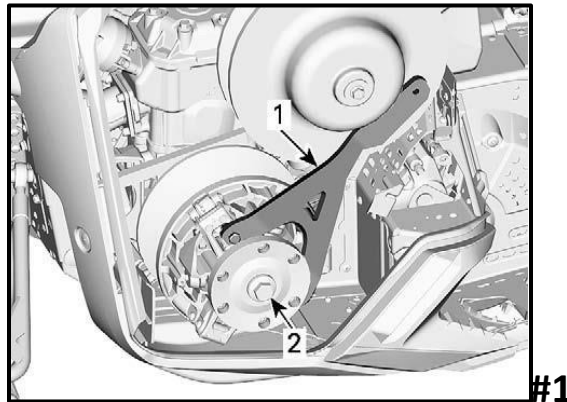
Straightline Performance 15250 Hornsby St Forest Lake, MN 55025 651-466-0212 www.straightlineperformance.com

6. After installation of the clutch weights, re-installation of the primary spring can be done. Simply compress the spring cup back down and install the C-clip.

7. Next, install the damper and torque at 23ft lbs as shown, on picture #7

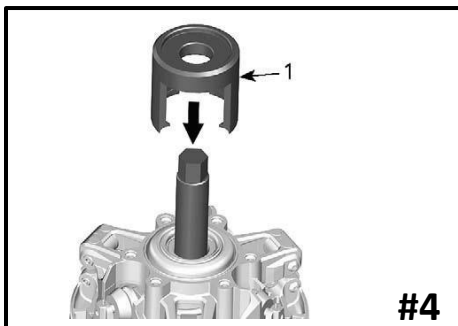
8. After complete installation be sure that all the clicker positions match the setting in the upper right hand corner. You can simply loosen the "pivot" bolt and turn the clicker while the clutch weight is installed. #8

A Straightline Clutch kit should always be installed by a certified snowmobile professional. Improper setting or installation can cause the machine to perform incorrectly or engine damage.

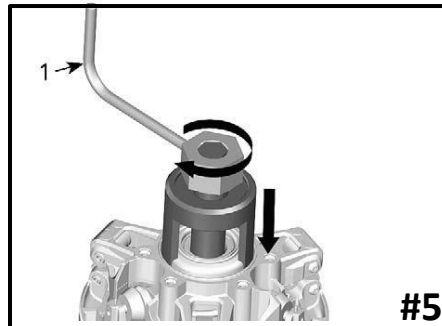


1. Puller
2. Sliding Sheave
3. Fixed Sheave

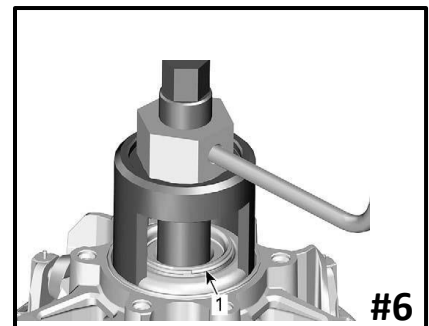
Remove the Damper



Install Puller Stud

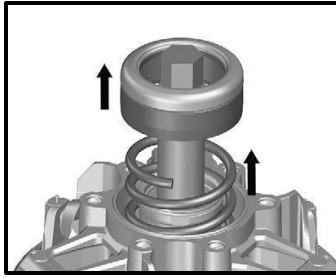


Compress Spring Cup

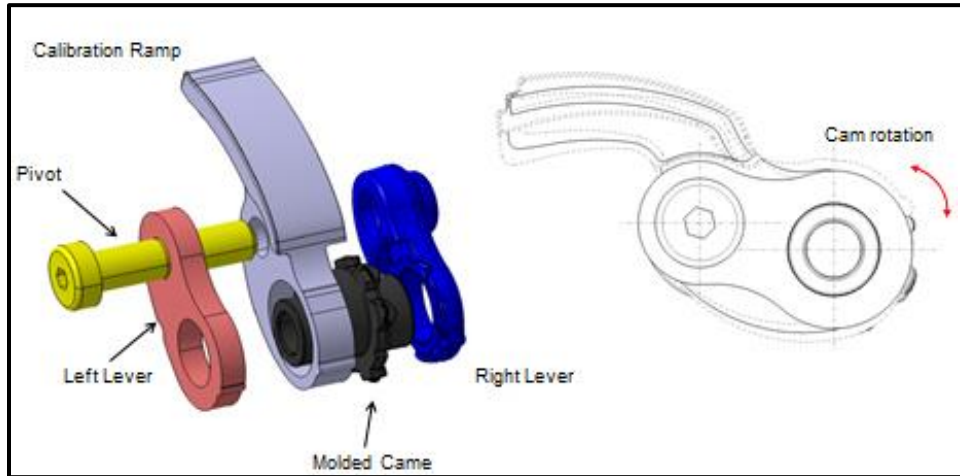


Remove Circlip #1

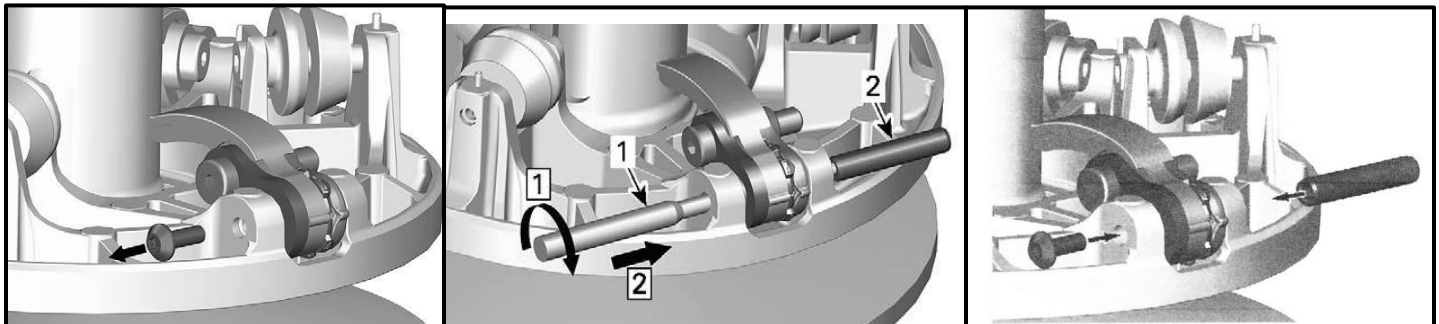
Straightline Performance 15250 Hornsby St Forest Lake, MN 55025 651-466-0212 www.straightlineperformance.com



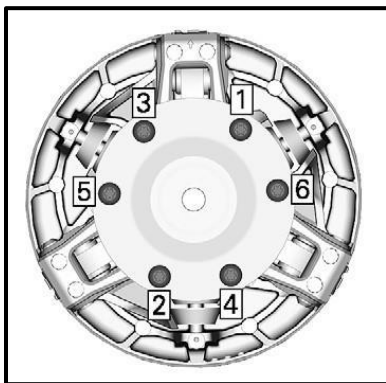
Remove spring cup, install spring after installation of clutch weights



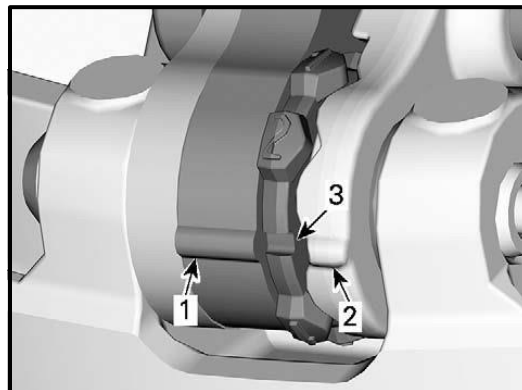
Remove all Skidoo P-drive side components and install new Straightline clutch weights.



Unscrew the Bolt that holds the clutch weight in, then install the tool to remove the pin as it is pressed in. This will require some slight tapping to remove. After the clutch weigh is removed you can install the stock Skidoo components onto the Straightline clutch weight. The Explode view above will show proper assembly.



Torque sequence for Damper



#7

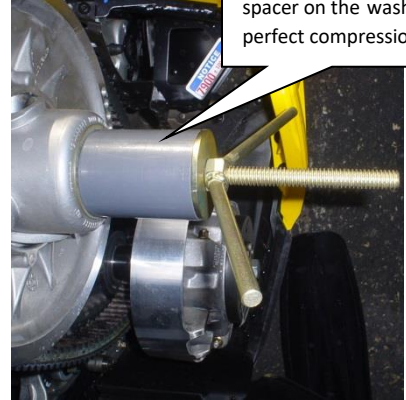
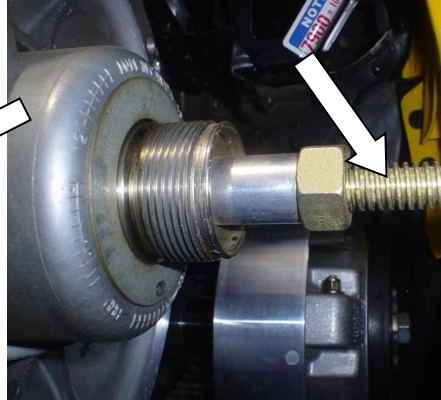
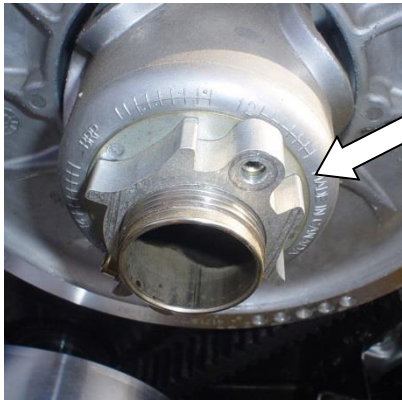
#8

- #1 Clutch weigh
- #2 Side Plate
- #3 Clicker Number

Secondary Clutch Installation

Proper Installation using the Straightline QRS Helix Compressor (151-107)

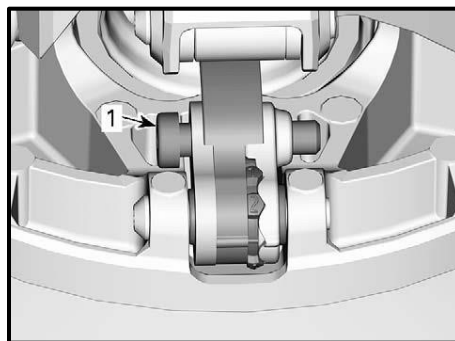
- Step 1. Remove the stock belt adjuster from the outer shaft of the QRS clutch.
- Step 2. Insert tool inside of the hollow shaft of the QRS clutch, and tighten the nut down against the spacer. This can be done by hand. When the nut is too tight to turn by hand, use a wrench on the nut for extra support. It will not take a lot of pressure to support the tool.
- Step 3. Install the plastic tube, then the washer, and last the handle. Turn and compress. It will only need to compress a ½" to aid remove the bolts. Lastly, unwind.



Be sure to center the spacer on the washer for perfect compression.

Basics of Tuning your P-Drive Straightline Clutch kit.

1. Is your Skidoo 600 is under revving?
 - a. Remove the 1g washer
 - b. Step 2 is to remove the 1 magnet.
 - c. Set 3 is to click up to #4
2. Is your Skidoo 850 Over revving?
 - a. Install 1 washer on the pivot bolt.
 - b. Step 2 add one magnet to hole #2
 - c. Step 3 is to add additional washers to Pivot Bolt until proper RPM is achieved.



#1 Pivot Bolt

BOM:

Quantity	Part #	Descriptions	In Box
1	121-235	P-Drive Weight Set	
1	121-244	P-drive Primary Spring	
1	121-257	Secondary Spring	
1	SPI-21	Straightline Custom QRS Helix	
1		Sticker	

Checked and Packaged By

NOTE: TURBO APPLICATIONS WILL REQUIRE PART NUMBER 121-246

Technical questions please email tech@straightlineperformance.com



Facebook @ straightlineperformanceinc1

Youtube @ straightlineperfinc

Twitter @ straightlineperf